

Solid State System Co., Ltd.

Declaration

The information contained herein is for evaluation and reference purpose only. The incorporation of such products and information in the design of customers' products shall be done under the full responsibility of the customer.

Except as provided in Solid State System Co. Ltd. ("3S") terms and conditions of sales, 3S does not make any warranty, express or implied, including implied warranties of merchantability and fitness for a particular purpose with respect to any 3S products, and 3S does not assume any liability for infringement of patents, copyrights or other intellectual property rights of third parties by or arising from the use of 3S products or any other liability arising from the use of such products.

Notice

No part of this publication may be reproduced, photocopied, or transmitted in any form, without the prior written consent of 3S. 3S reserves the right to make change to the product specification and descriptions at any time without notice, and to discontinue or make change to its products ant any time without notice.

Please contact a 3S representative for the application note issued by 3S to design your system in a right way.

SSS1530A3-QBC

Single Chip Type-C USB Audio Controller

I. Product Overview

SSS1530 is 3S highly integrated single chip TYPE-C USB audio controller with on chip oscillator to save the external 12MHz crystal component, QFN-32(4*4) package. SSS1530 features stereo 16 bits ADC, stereo 16 bits DAC, earphone driver, 5-band hardware EQ, audio PLL, TYPE-C clock oscillator, and TYPE-C FS controller plus PHY. External 24C02~16 EEPROM connection provides flexibility for TYPE-C USB VID/PID/product string, default gain settings, and other customized features. SSS1530 provides a minimum BOM solution for featured TYPE-C audio solutions, in Widows/MAC/ Android OS X , and most of Type-C mobile phone.

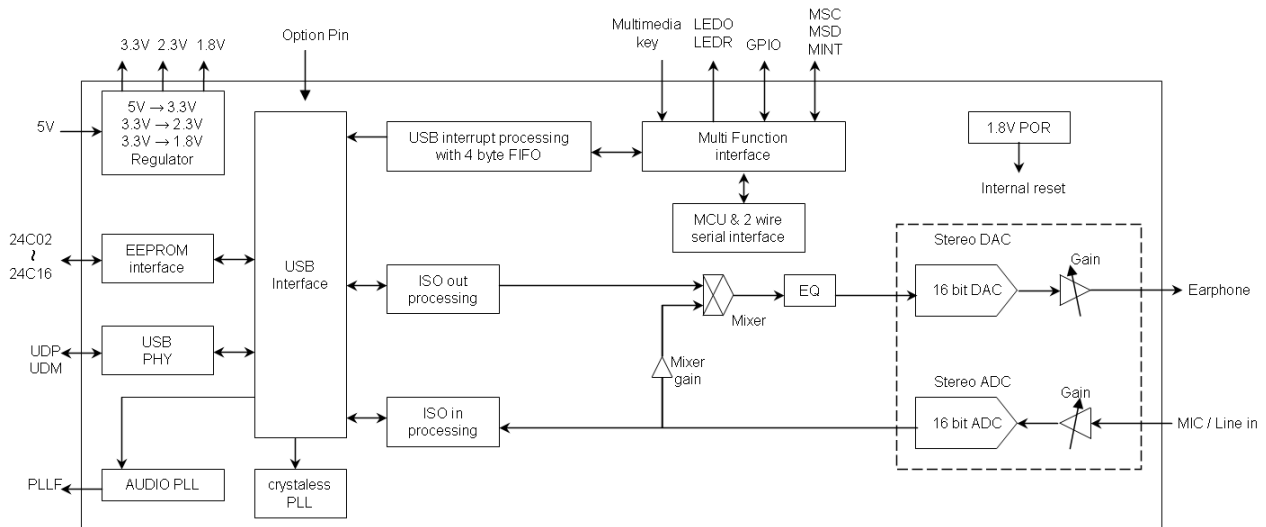
II. Product features

- Embedded TYPE-C USB FS transceiver and controller
- Embedded TYPE-C USB 48MHz on chip oscillator without external crystal component need
- Embedded 16 bit stereo ADC with dB linear PGA
- Embedded 16 bit stereo DAC
- Earphone amplifier with variable gain adjustment
- Embedded 5V to 3.3V and 1.8V output regulator for single external 5V operation
- Embedded 1.8V power on reset
- Compliant with TYPE-C USB specification v2.0 full speed operation
- Compliant with TYPE-C USB audio device class specification v1.0
- Supports TYPE-C USB suspend/resume mode
- Support one control endpoint, one isochronous out endpoint, one isochronous in endpoint, and one interrupt in endpoint
- Alternate zero bandwidth setting for releasing TYPE-C USB bus bandwidth during inactive
- Two wire serial bus for external MCU control
- Phone Call and Hang Up, Music Play/Pause, volume up, volume down, playback mute, recording mute, next track, previous track, and stop pin for direct user control
- Volume up, volume down, playback mute, next track, previous track, stop and play/pause support TYPE-C USB HID for host control synchronization
- Support digital encoder interface for volume control by EEPROM setting



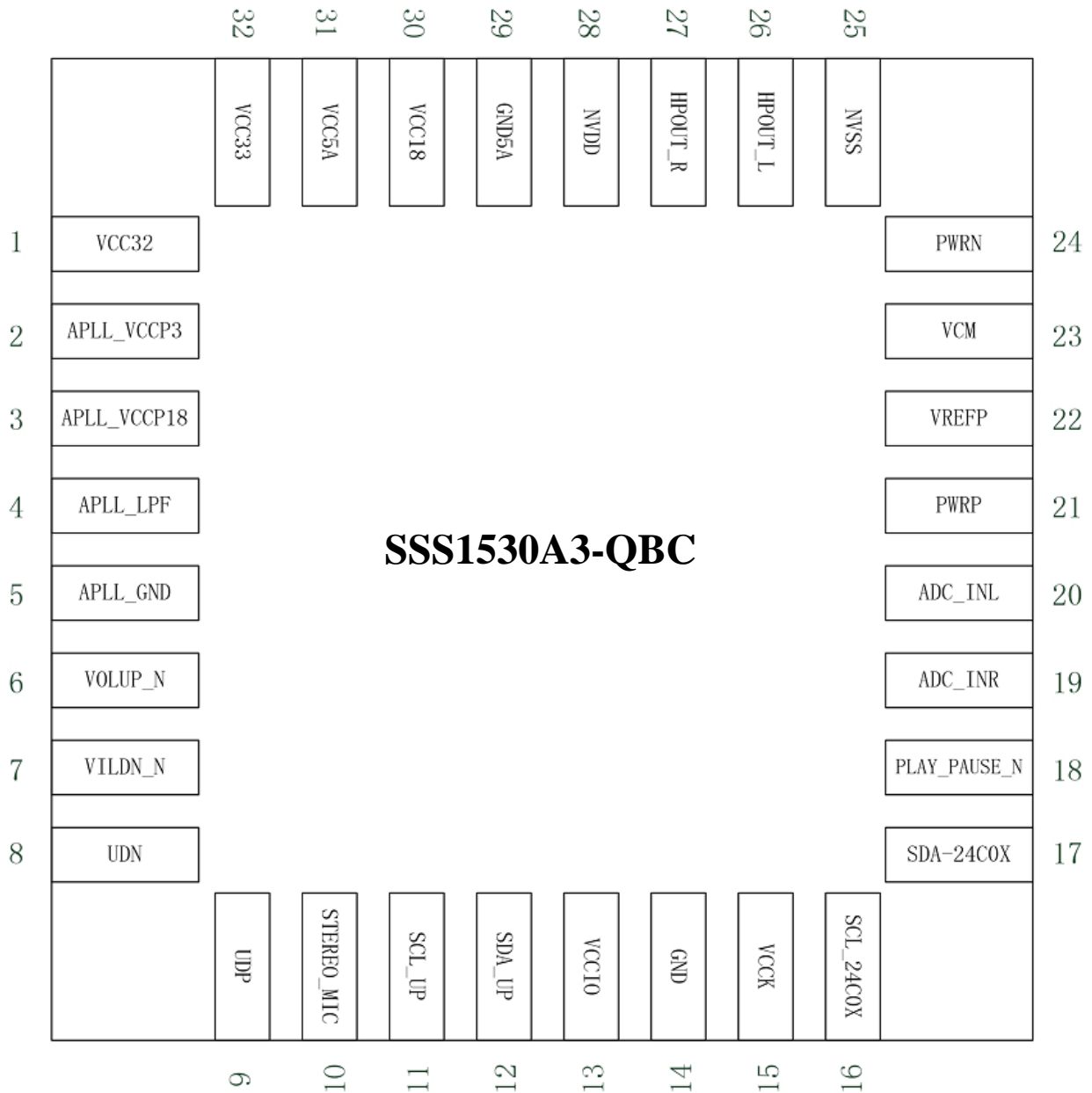
- External 24C02~C16 serial EEPROM interface for vendor specific USB VID, PID, product string, serial number, default gain, default EQ setting, playback/record enable.
- EEPROM write function via HID for mass production convenience
- Support HID pin change to GPIO pin, setting with EEPROM
- Whole EEPROM space can be accessed via MCU
- Embedded 5 band H/W EQ with preset mode selection from IO pins
- Playback and record function can be independently enabled for product feature
- GPIO and MCU interface register read/write via HID
- Embedded digital mixer for application need
- Default support 48KHz for both ADC and DAC enable
- support I2S interface with fixed sampling rate
- 1.8 V for digital core and audio PLL operation
- 3.3V for oscillator, ADC/DAC operation
- Compatible with Win XP, Vista, Win 7, Mac OS X ,Linux OS X and **Android OS X** without additional driver, and **most of Type-C mobile phone**
- Some function support by EEPROM additional, Please contact with 3S AE
- Shipping **QFN-32(4*4)** package by Type & Reel

III. Block Diagram



IV. Pin Description

➤ Pin Out Chart for QFN-32(4*4)





➤ Pin List Table

QFN 32	PAD# SYMBOL	NORMAL MODE	PD MODE	DESCRIPTION
1	VCC23	PO	PO	2.3V output for regulator
2	APLL_VCCP3	PI	PI	3.3V power for audio PLL
3	APLL_VCCP18	PO	PO	1.8V output from PLL regulator
4	APLL_LPF	AIO	AIO	Low pass filter for audio PLL
5	APLL_GND	PI	PI	Audio PLL ground
6	VOLUP_N	I	I	Volume up
7	VOLDN_N	I	I	Volume down
8	UDN	AIO	AIO	USB data D-
9	UDP	AIO	AIO	USB data D+
10	STEREO_MIC	I	I	MIC Select 1: stereo 0: mono
11	SCL_UP	I	I	External MCU serial bus clock pin
12	SDA_UP	IO	I	External MCU serial bus data pin
13	VCCIO	PI	PI	3.3V power
14	GND	PI	PI	Ground
15	VCKK	PI	PI	1.8V power
16	SCL_24C0X	O	I	External (24C0X) NOR serial bus clock pin
17	SDA_24C0X	IO	I	External (24C0X) NOR serial bus data pin
18	PLAY_PAUSE_N	I	I	Play/pause
19	ADC_INR	AI	AI	Right channel inputs of Audio
20	ADC_INL	AI	AI	Left channel inputs of Audio
21	PWRP	PI	PI	Analog power (3.3V)
22	VREFP	AI	AI	Codec reference high voltage
23	VCM	AI	AI	Codec reference middle voltage
24	PWRN	PI	PI	Analog Ground
25	NVSS	PI	PI	Earphone driver ground
26	HPOUT_L	AO	Z	Earphone driver output
27	HPOUT_R	AO	Z	Earphone driver output
28	NVDD	PI	PI	Earphone driver power
29	GND5A	PI	PI	Analog ground for regulator
30	VCC18	PO	PO	1.8V output for regulator
31	VCC5A	PI	PI	5V input for regulator
32	VCC33	PO	PO	3.3V output for regulator

V. Electric Characteristics

➤ Absolute Maximum Rating

SYMBOL	PARAMETER	VALUE	UNIT
V _{min}	Min supply voltage	- 0.3	V
V _{max}	Max supply voltage	VDD + 4	V
V _{inout}	Voltage on 3.3V input or output	-0.3 to +3.6	V
T _{stg}	Storage temperature range	-20 to +120	°C
ESD (HBM)	ESD human body mode	2000	V
ESD (MM)	ESD machine mode	200	V

➤ Headphone Output (A-Weighted)

PARAMETER	CONDITION	MIN.	TYP.	MAX.	UNIT
P _{max} Output power @1% THD+N	RL = 32 Ω, VCC33A = 3.3 V	--	15	--	mW
SNR (Signal-to-noise ratio)	Idle channel	--	84	--	dB
	mute	--	94	--	dB
THD+N Total harmonic distortion	1KHz @ -3dB; 32Ω load	--	-71	--	dB

➤ Microphone Input Characteristics

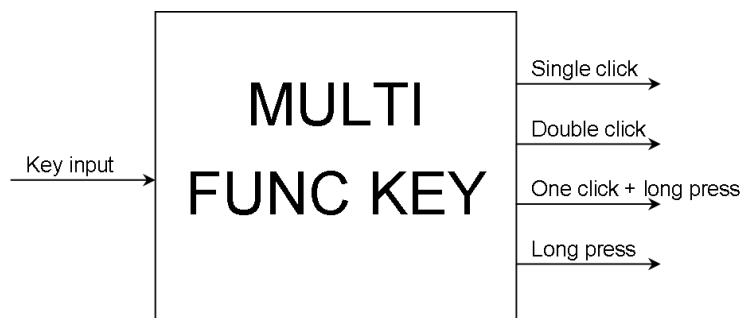
SYMBOL	PARAMETER	MIN	TYP	MAX	UNIT
AMP	Microphone gain amplification	-7.5		+39	dB
GSTEP	ADC gain step		1.5		dB
DR	Dynamic range @ 997Hz -60dB FS gain = 0dB		83		dB
SNR	SNR @ idle channel gain = 0dB		82		dB
THD+N	THD+N @ 997Hz -3dB FS gain = 0dB		-77		dB
FS	Signal full scale input gain = 0dB		0.95*VCC33A		V
OFF	DC offset @gain = 0dB			±14	mV
RIN	Input impedance	15K	20K		ohm

➤ On Chip Regulator

SYMBOL	PARAMETER	MIN	TYP	MAX	UNIT
In Rang	Input voltage range	3.8		5.5	V
REGdrv33	Driving capability of 3.3V output			250	mA
REGdrv18	Driving capability of 1.8V output			70	mA
REGdrv23	Driving capability of 2.3V output			1	mA
REGload33	3.3V load regulation	-	0.02	0.05	%/mA
REGline33	3.3V line regulation	-	0.2	0.4	%/V
REGload18	1.8V load regulation	-	0.02	0.05	%/mA
REGlin18	1.8V line regulation	-	0.2	0.4	%/V
OVR33	3.3V output voltage	3.0	3.3	3.6	V
OVR18	1.8V output voltage	1.62	1.8	1.98	V
OVR23	2.3V output voltage	2.07	2.3	2.53	V

Note: MULTI FUNCTION KEY (4 Key)

SSS1530 support maximum 4 multifunction keys. By EEPROM settings, each multifunction key can have up to four different button operation manners. Four kinds of different button operation are "a short press", "consecutive two short press", "a short and a long press" and "a long press". Each multifunction key corresponds to different control manner for different function demand, so that can achieve the purpose of streamlining the key number of requirements. Setting diagram is as follows:





Key input can be set from :

Function output can be assign to :

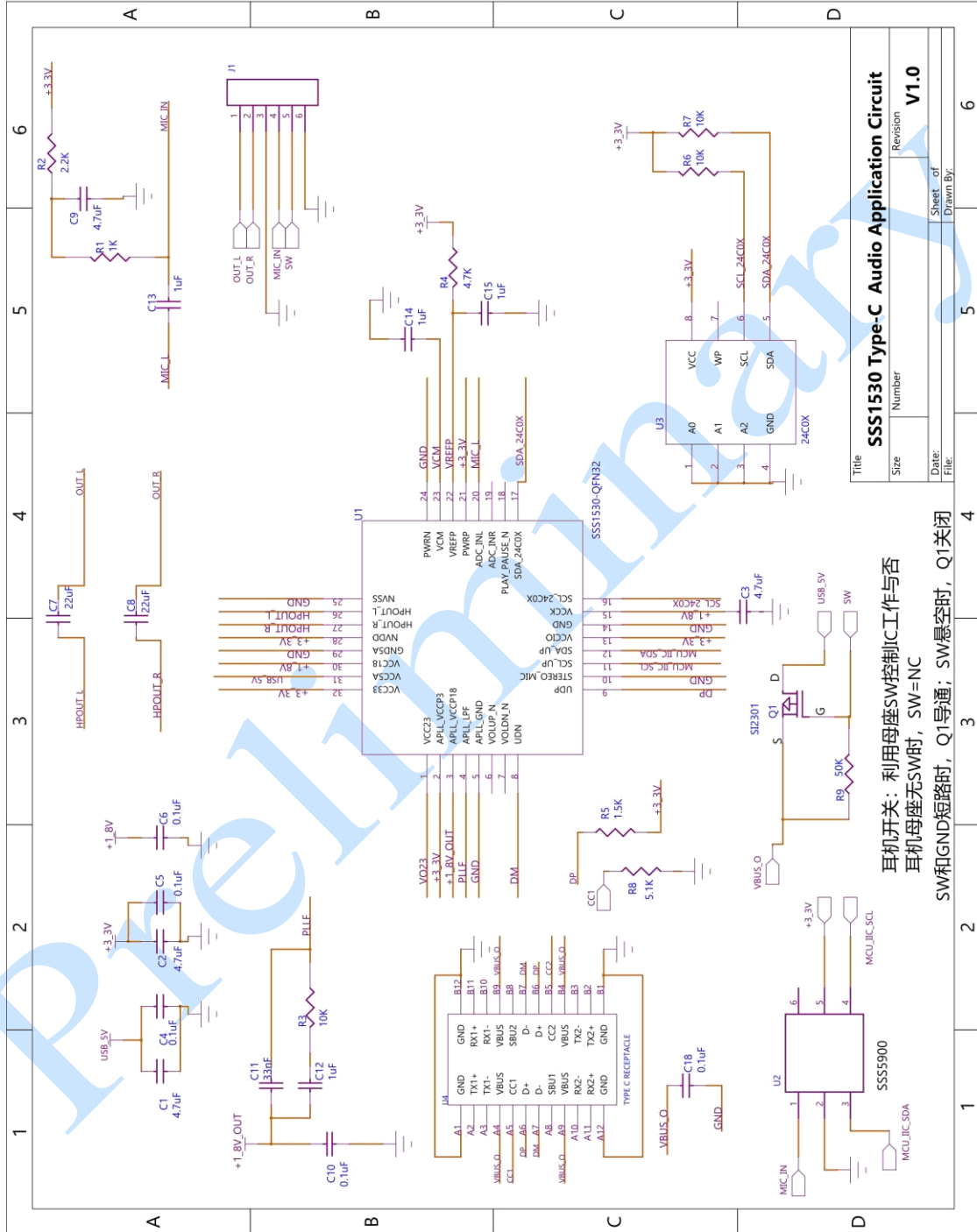
ON.	Key input
1	VOLUP_IN
2	VOLDN_IN
3	MUTEP_IN
4	MUTER_IN
5	NEXT_TRACK_IN
6	PRE_TRACK_IN
7	STOP_IN
8	PLAY_PAUSE_IN
9	EQ_NEXT_IN
10	USER_KEY_IN
11	GPI5
12	GPI6
13	GPI7
14	GPI8
15	GPI9

ON.	Function output
1	VOLUP
2	VOLDN
3	MUTEP
4	MUTER
5	NEXT_TRACK
6	PRE_TRACK
7	STOP
8	PLAY_PAUSE
9	EQ_NEXT
10	USER_KEY
11	S3D_NEXT
12	GPO9
13	GPO8
14	GPO7
15	GPO6
16	GPO5

Please contact 3S AE or sales for SSS1530 more application information

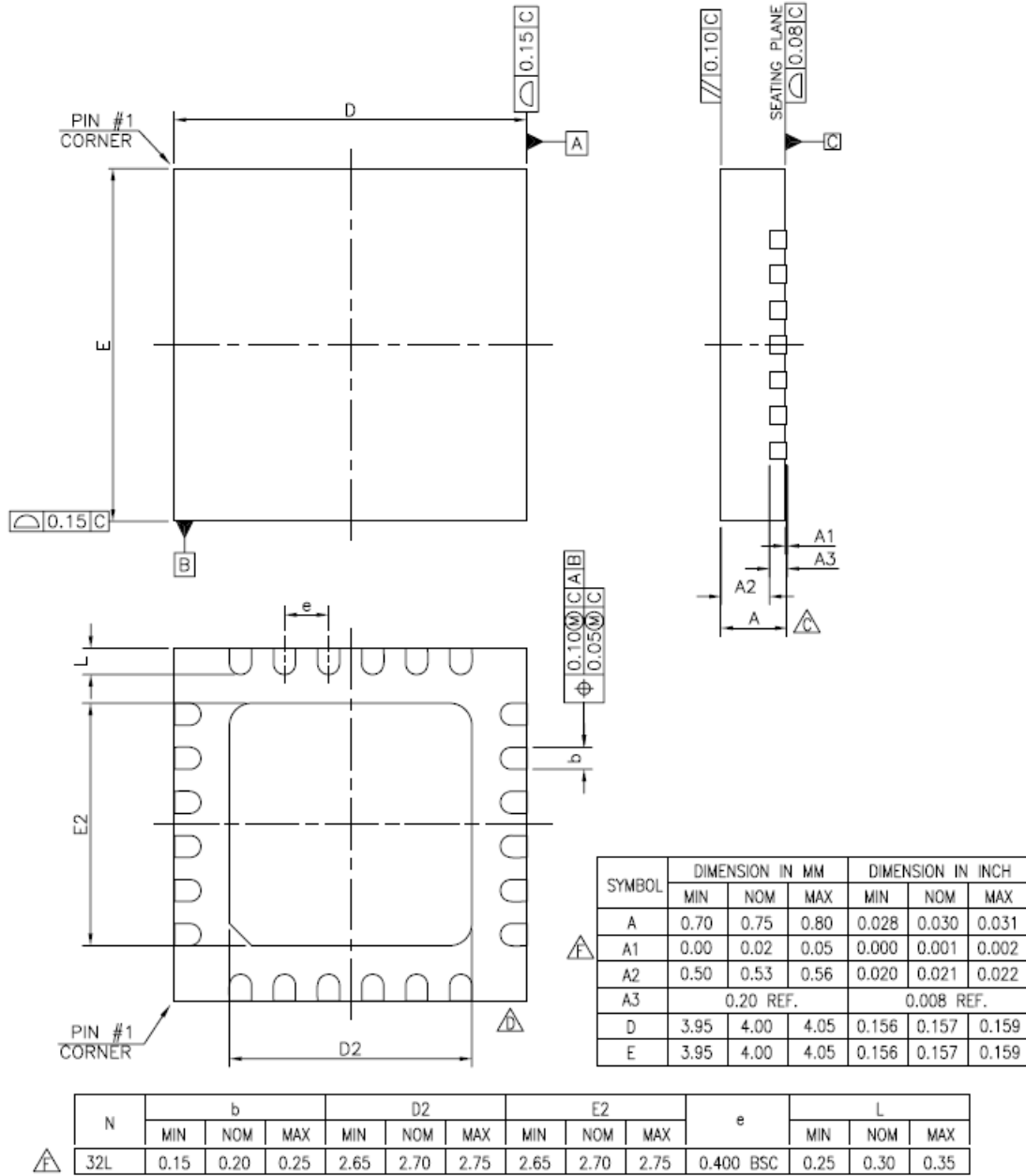
Preliminary

VI. Reference Application Circuit



VII. Mechanical Data

➤ Package for QFN-32



Revision History



Revision	Date	Description
1.0	2018/12/19	Initial Specification
1.1	2019/07/26	Modify Mechanical data size

Preliminary